



DIFFERENT POSSIBILITIES :

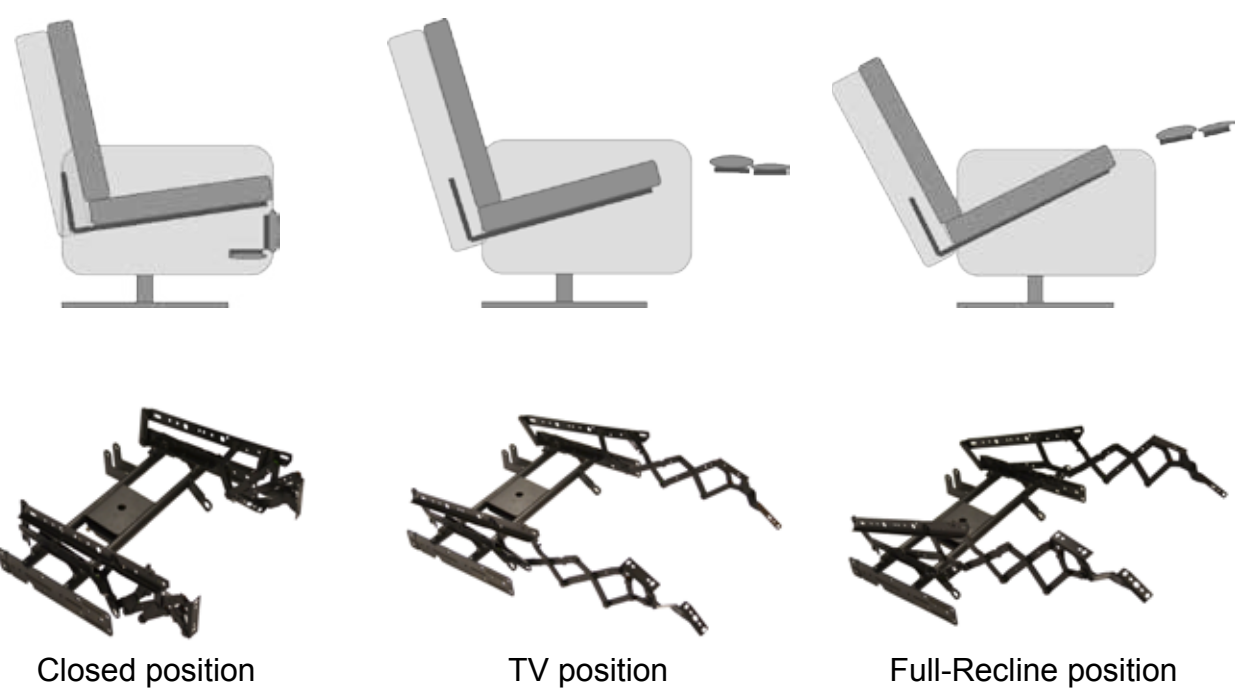
- Push on the arms
- Gas spring
- Single motor
- Double motor

KEY FEATURES & BENEFITS :

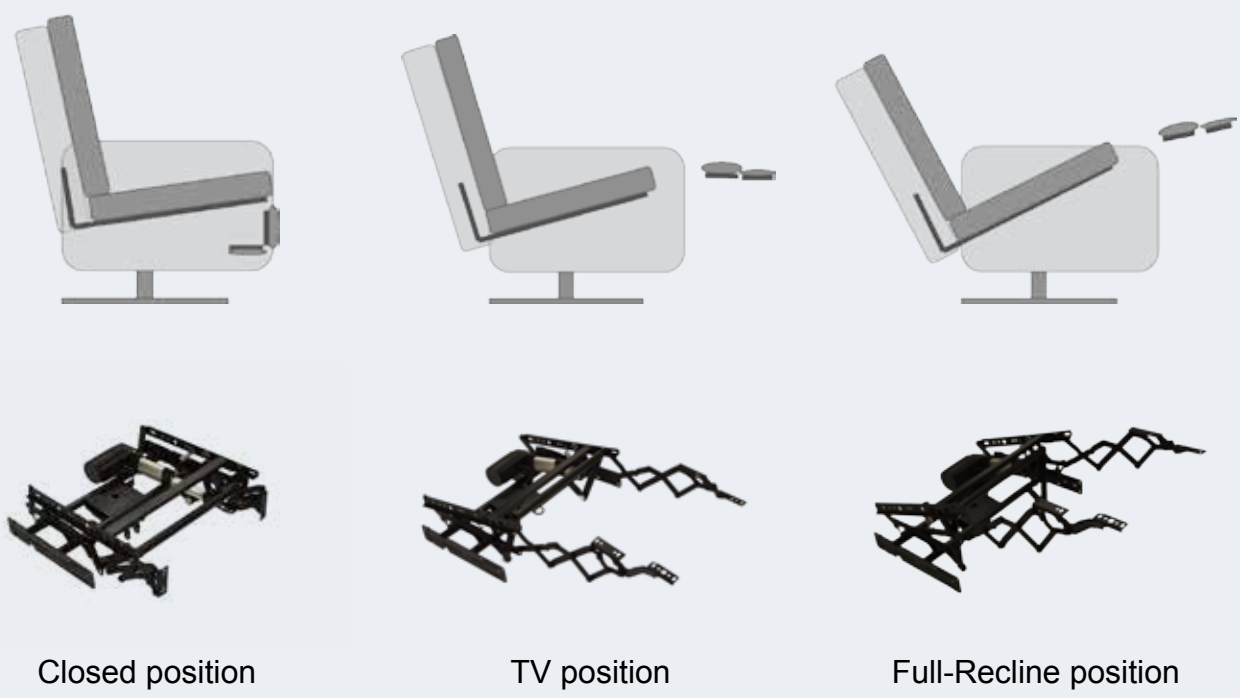
- Opens **smoothly** with a push on the arm and closes easily with simple leg pressure
- Rail mounting allows for the ultimate in **high leg design**
- A **balanced** recliner mechanism with optimum reclining performance for high leg chairs
- Excellent foot rest pitch and support
- User weight capacity : **115 kg.**
- Chassis width : 569 mm (or 20.40 inch)



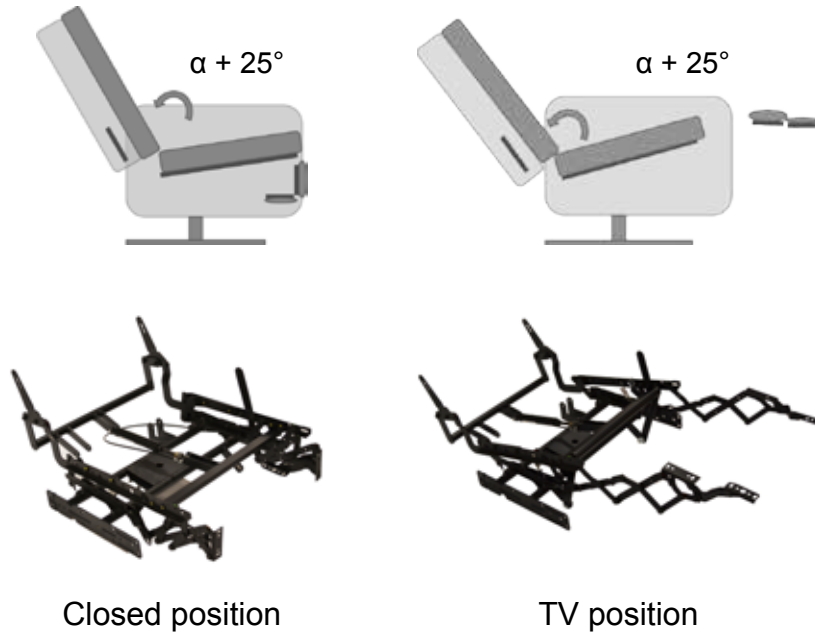
2 WAY MANUAL



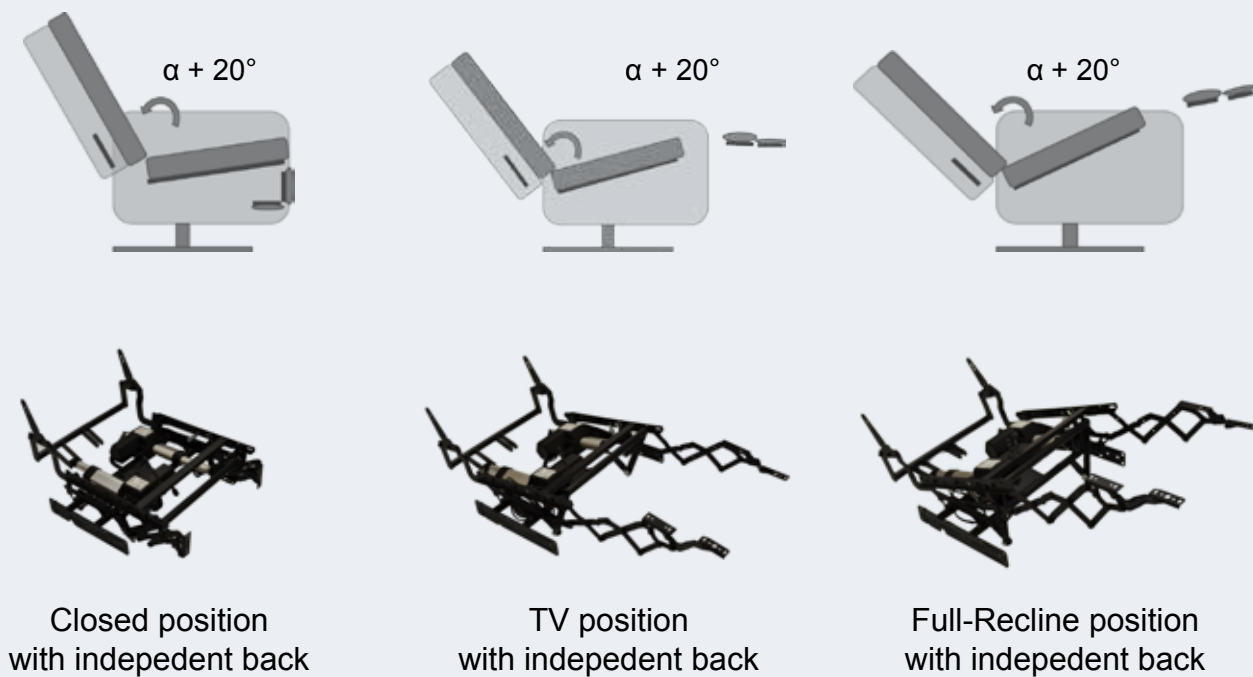
1 MOTOR



3 WAY GAS SPRING



2 MOTOR



MOTORIZATION

1 MOTOR



2 MOTOR



HANDSET



Chair control CL
2 buttons



Chair control SL
2 buttons



Chair control SL
4 buttons



Pureline
4 buttons



Pureline
2 buttons



Touch Sensor

ACCESSORIES



Flat base
Ø 600mm - height 19mm



Bugle base
Ø 600mm - height 90mm

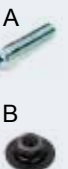
Height cylindrical column in color silver light: 70 / 75 / 80 / 120 / 130 / 165

BACKREST FIXATION

2 WAY - backbrackets + (set) KD sleeves



3 WAY - (set) KD sleeves



- A. KD bolt - 4 pcs
- B. Spring nut - 4 pcs



- C. KD sleeve & clip - 2 pcs