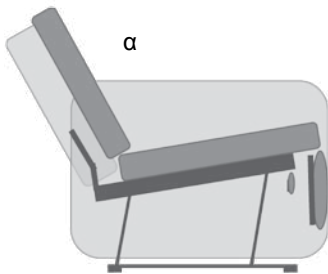


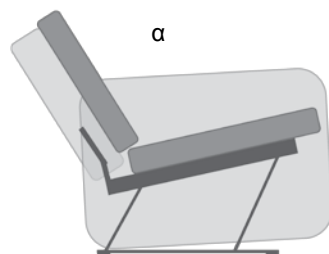


KEY FEATURES & BENEFITS :

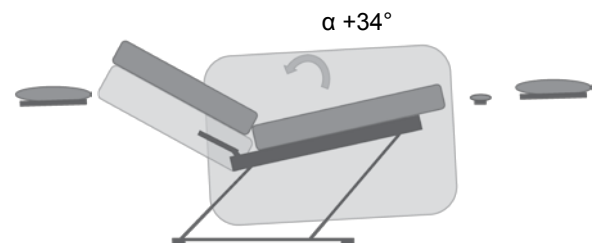
- Amazing Metal-To-The-Floor mechanism which is easy to operate
- Operated by handset or chaircontrol
- Reinforced metal parts results in improved user weight capacity from 115kg to 136kg
- Wall hugger recline motion
- Universal fixation points makes it possible to create 1 upholstery that can be combined with different manual, motorized and lift mechanisms



Closed position



TV position



Full-Recline position

Available sizes*	dash	1	2	3	4	7	9	10
	mm	475	500	525	550	625	675	700
	inch	18,70	19,69	20,67	21,65	24,61	26,57	27,56

Distance of inside seat frame
 * Available sizes on demand



MOTORIZATION

POWERCABLE



EU cable



UK cable

TRANSFO



EXTENTION



Extension cord 3,5m

MOTOR



Eco betadrive motor

HANDSET



Handset Styline
(1 motor recliner)



Chair control SL
2 buttons



Pureline
2 buttons



Touch sensor

ACCESSORIES

BACKREST FIXATION



A



B



C

- A. KD bolt - 4 pcs
- B. Spring nut - 4 pcs
- C. KD Sleeve & clip - 2 pcs

SET FINGER GUARD



Plastic shield - 2 pcs



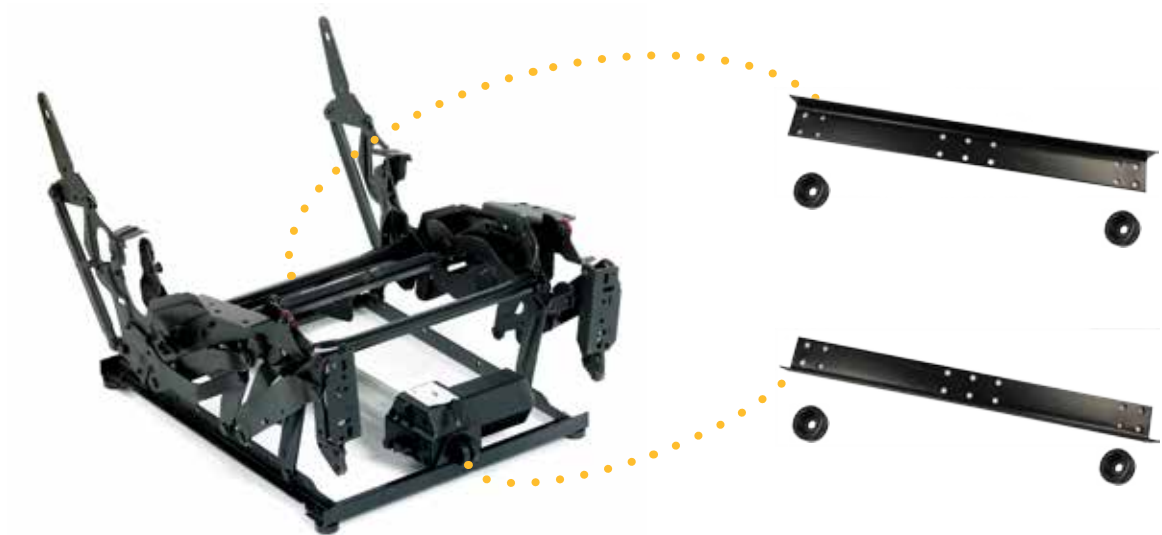
Black button - 4 pcs

BASE - 1 SEATER

Motorized

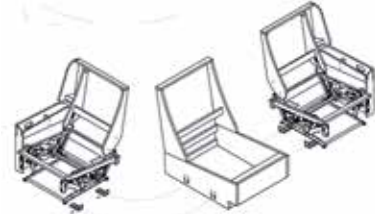
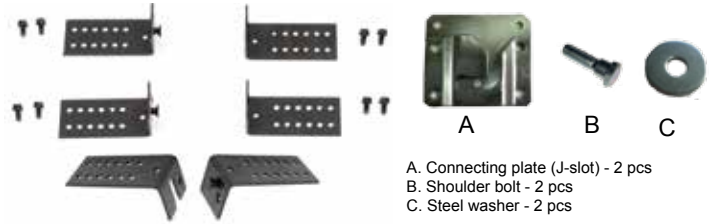
Semlax 811

ANGLE FRAME BASE



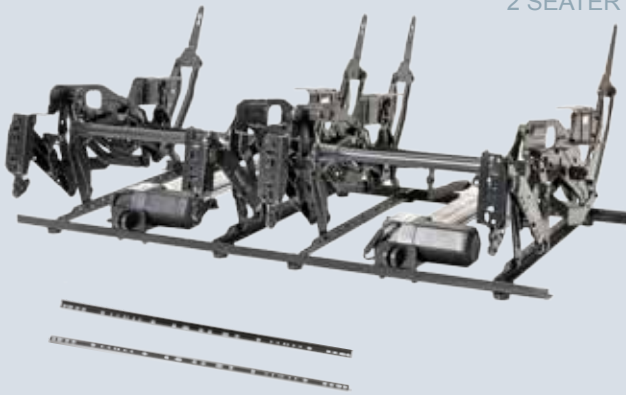
BASE - 2/3 SEATER

MODULAR CONNECTING BRACKETS



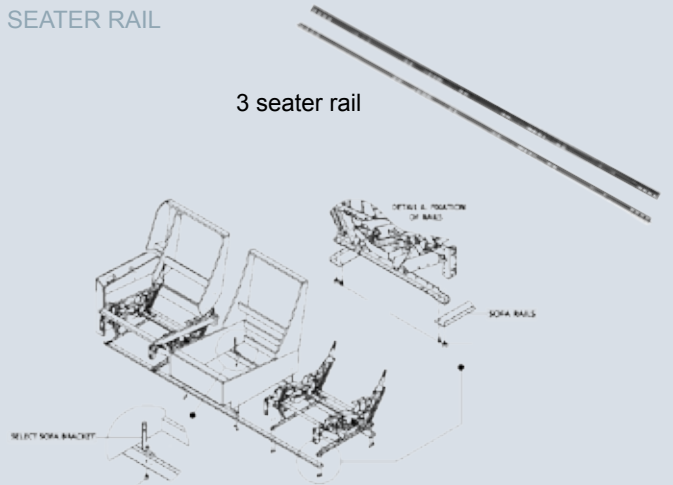
Note : always in combination with standard base or angle frame base

2 SEATER / 3 SEATER RAIL



2 seater rail

3 seater rail



MODULAR CONNECTING RAIL 2 SEATER



Male connector rail



Female connector rail



A



B



C

A. Connecting plate (J-slot) - 2 pcs
B. Shoulder bolt - 2 pcs
C. Steel washer - 2 pcs